

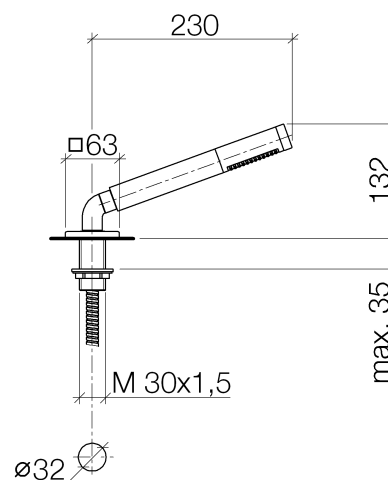


Product specifications

- normal flow
- with anti-scale system
- rosette 63 x 63 mm
- hole diameter 32 mm
- metal shower hose 1750mm with integrated anti-twist protection
- max. flow 7.6 l/min

Two-piece design allows hose to later be changed without dismantling the fitting.

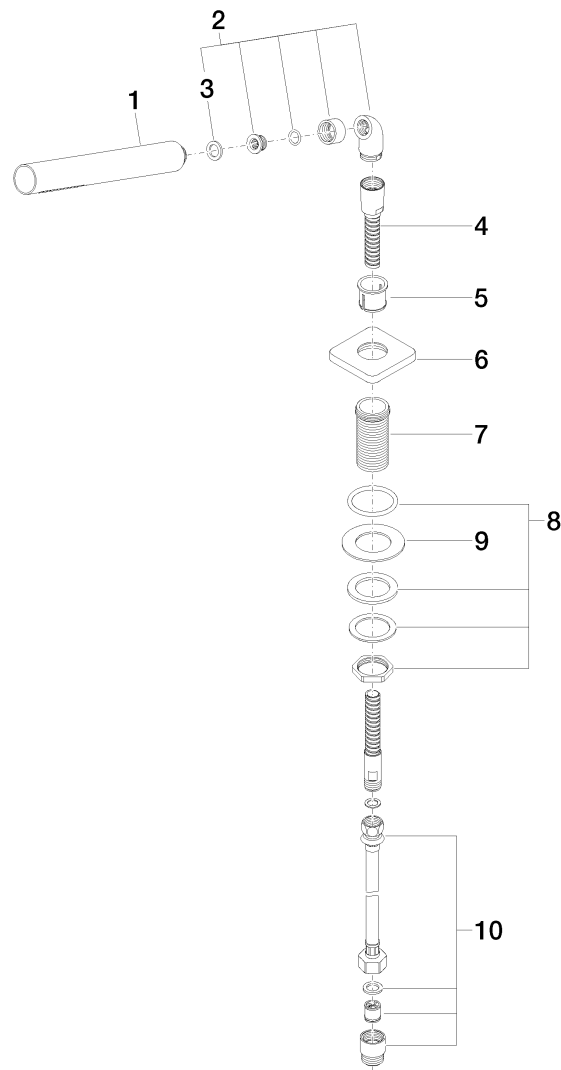
Intrinsic protection against back flow.



Surfaces

- chrome 27702960-00

Exploded assembly drawing



Bath & Spa

CULT Hand shower set for bath rim or tile edge installation

Article number: 27702960



Order quantity

No.	Article number	Name	Installation quantity
------------	-----------------------	-------------	------------------------------

Flow rate chart

