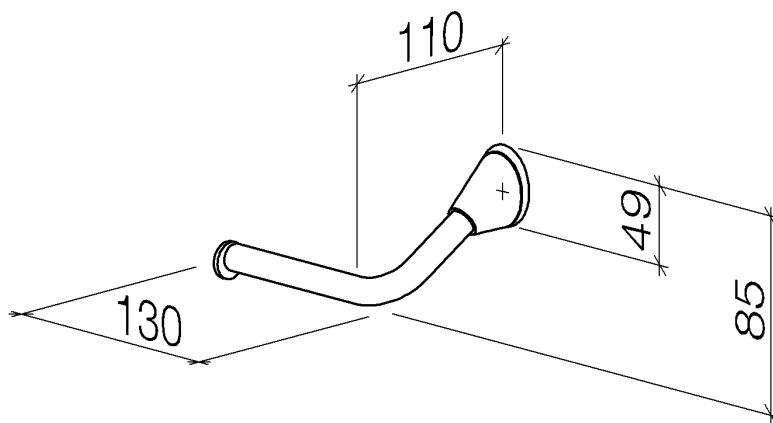


SOURCE Tissue holder without cover

Article number: 83500940

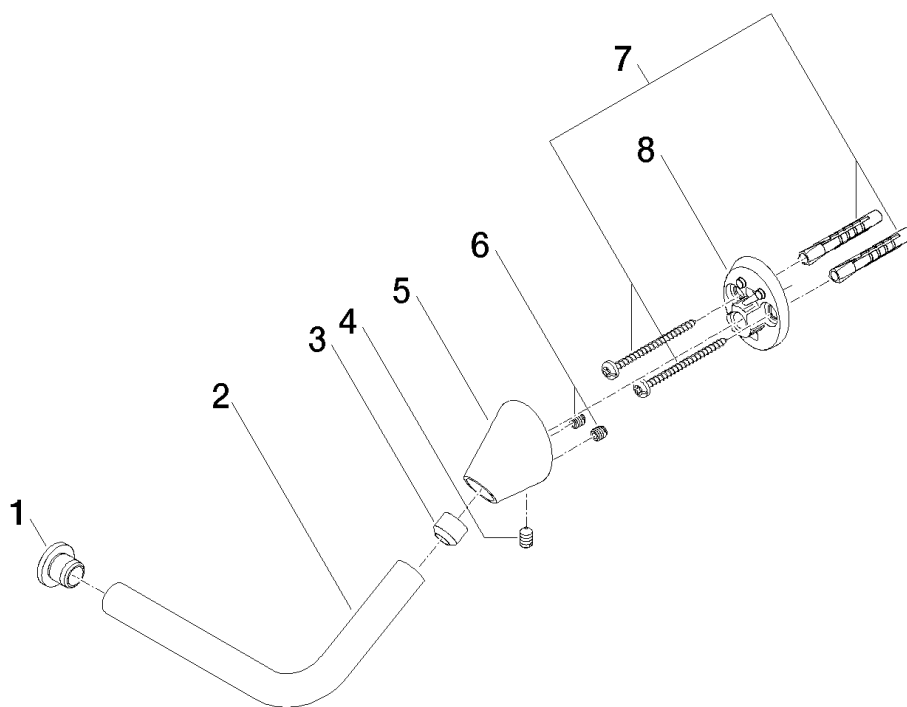


SOURCE Tissue holder without cover

Article number: 83500940



Exploded assembly drawing



SOURCE Tissue holder without cover

Article number: 83500940



Order quantity

No.	Article number	Name	Installation quantity
1	083120524ff	cap	1
2	082825519ff	holder	1
3	08184051990	sleeve	1
4	09311104790	pin	1
5	081794550ff	holder	1
6	09311104990	pin	2
7	0530310250090	fixing set	1
8	081794500ff	holder	1