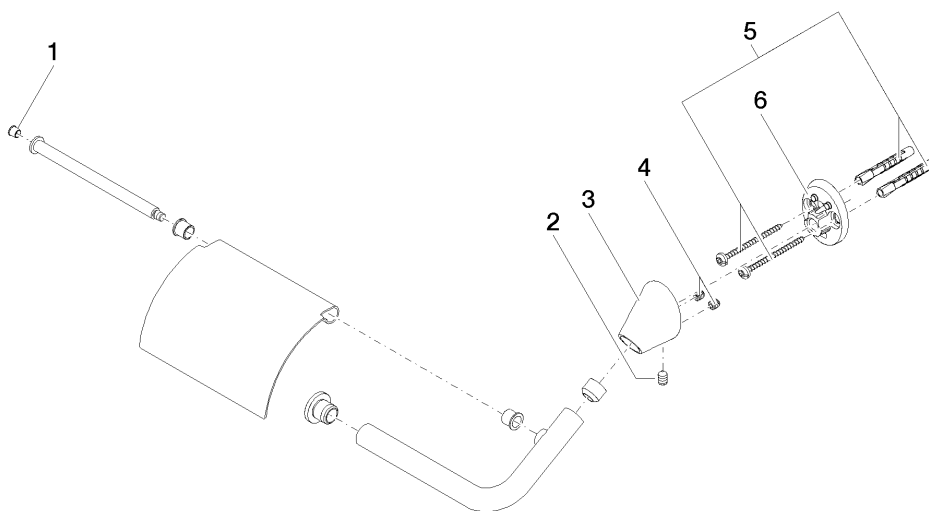


SOURCE Tissue holder with cover

Article number: 83510940



Exploded assembly drawing



SOURCE Tissue holder with cover

Article number: 83510940



Order quantity

No.	Article number	Name	Installation quantity
1	08184052590	sleeve	1
2	09311104790	pin	1
3	081794550ff	holder	1
4	09311104990	pin	2
5	0530310250090	fixing set	1
6	081794500ff	holder	1